

# 7-9: REMOTE MATHS

EDITION 12

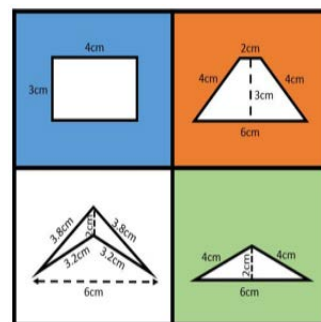
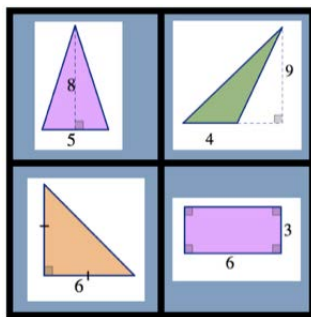
## MEASUREMENT AND GEOMETRY - WARM UPS

**Mathematical language:** Fraction, area, cube, face, integer, angle.

### TASK 1: WHICH ONE DOESN'T BELONG

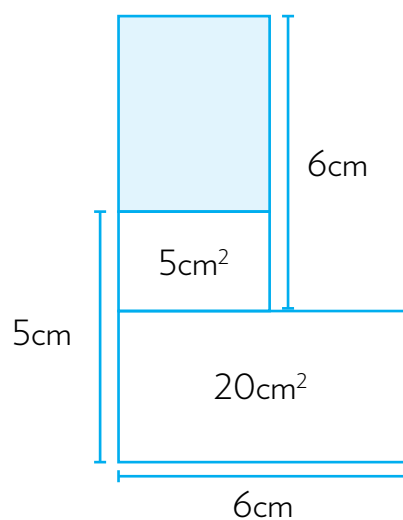
*Source: <https://wodb.ca/>*

In both of the images below, justify why each of the 4 shapes doesn't belong to the others and why.



### TASK 2: MENSEKI MEIRO

Find the shaded area. You are to use only integers (whole numbers) in your working out.



## EDITION 12: MEASUREMENT AND GEOMETRY (CONT.)

### TASK 3: NINE COLOURS

Source: <https://nrich.maths.org/ninecolours>

If you have 27 small cubes, 3 each of nine colours, can you make a 3 by 3 by 3 cube so that each face of the bigger cube contains one of every colour?

In the picture, the top face and the left face have one of each colour. Unfortunately, the third face has two greens, two blacks, no reds and no browns, so this is not a valid solution.

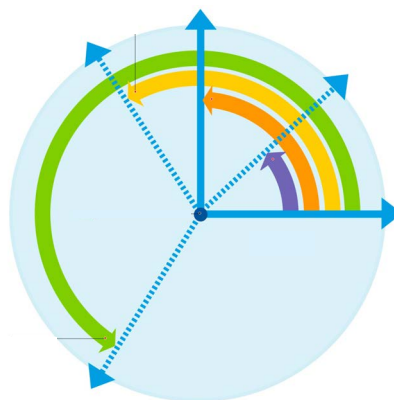


### TASK 4: WHAT'S AN ANGLE?

Source: <https://www.dkfindout.com/us/math/geometry/angles/>

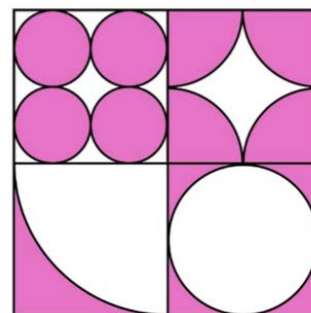
Without searching for the definition, try your best to define what is meant by the word 'angle'.

If you had to explain what an angle is to a person who has never learned about angles, how would you do so? You can use the image here to help you come up with an explanation.



### TASK 5: I SEE PINK!

What fraction of the whole area is shaded?



*Look out for more tasks next week!*

